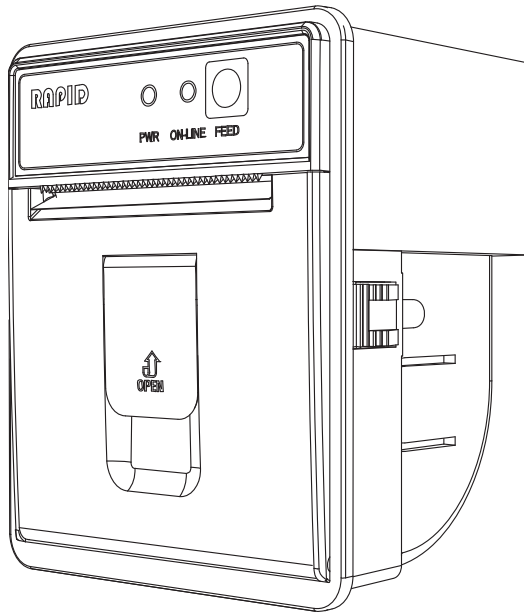


YJ-320T

Use's Manual



CONTENTS

1. OUTLINE

1-1. FEATURE

1-2. APPLICATION

2. OPERATION

2-1. SPECIFICATION

2-2. EXPLANATION OF EACH OTHER

2-3. PAPER CHANG

2-4. SELF-TEST

2-5. DUMP MODE

3. CONNECTIONS

3-1. SERIAL/POWER INTERFACE

3-2. USB INTERFACE

3-3. THE OTHERS

4. OUTER APPEARANCE

5. COMMAND

5- 1 CODE TABLE

5- 2 EPSON COMMAND

1.OUTLINE

These printers are thermal method can be equipped in rack. for various data communication, POS terminal and various system.

Prior to actual use, please read this instruction manual carefully for your correct understanding.

1-1.Feature

- Ultra small-sized rack mounting thermal printing
- Extremely light weight
- High speed printing
- Paper end detecting and auto loading
- A little noise in printing
- No ribbon type
- Confirming to RS 232c and USB interface.
- 24 and 32, 42 columns are available.
- Self-test and Hex decimal (dump mode) applied
- Graphic printing and bar code function are available.

1-2.APPLICATION

- Instruments and inspection system
- INDICATOR and scale
- F. A. system
- A receipt
- POS SYSTEM
- Parking system
- Various data recording

2. OPERATION

2-1. SPECIFICATION

ITEM	SPECIFICATION
DESIGN	PANEL TYPE
PRINT METHOD	THERMAL MACHANISM
COLUMNS	24/32/36/42 ON ENGLISH
FONT SIZE	36/42COL ENGLISH: 9x24, KOREAN: 18x24 24/32COL ENGLISH: 12x24, KOREAN: 24x24
DOT DENSITY	200 DPI(8dot/mm)
TOTAL DOTS	384 dots/line
PRINT SPEED	70mm/sec
PRINT PAPER	57mmx50mm ROLL PAPER
PRINT WIDTH	48.0mm
DATA BUFFER	16Kbyte
INTERFACE	RS-232C SERIAL (BAUDRATE : 2400/9600/19200/115200bps selector)
	CENTRONICS PARALLEL
	USB
INPUT POWER	DC +12 ~ 24V, 1.5A (OPTION : External AC Adaptor 110V/220V)
SIZE (mm)	79.5(W) x 63.5(D) x 97.5(H)

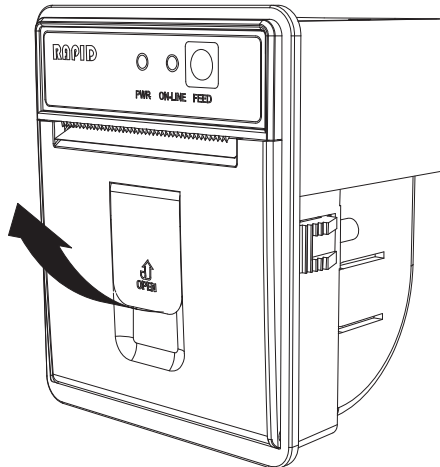
2-2. EXPLANATION EACH OTHER

- LED AND SWITCH

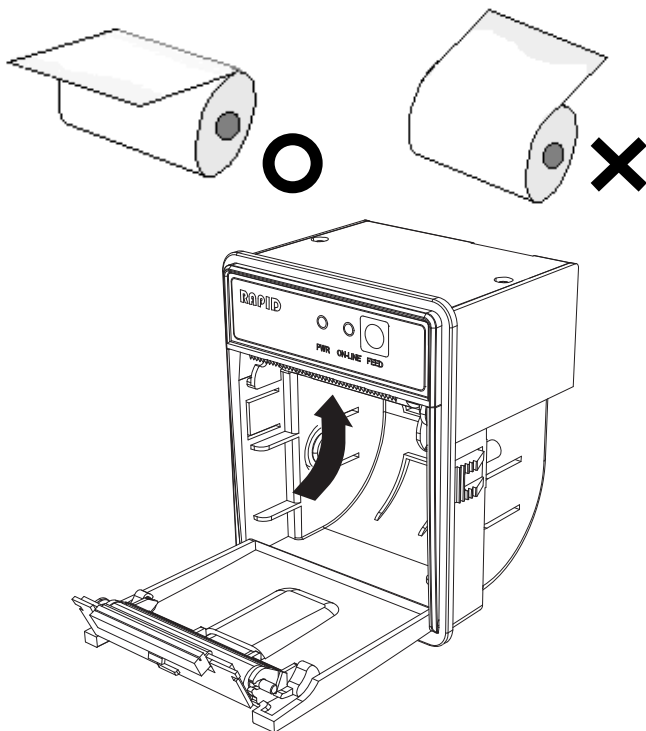
ITEM	FUNCTION
RED LED	POWER INDICATOR. ● POWER ON, WHEN LIGHTING LAMP.
GREEN LED	INDICATOR "ON-LINE" ● ON LINE (STANDBY PRINTING.) ● LAMP OFF(NOT TO PRINT). ● LED FLASHING, WHEN NO PAPER
FEED S/W	PRESS TO ADVANCE PAPER

2-3. PAPER CHANG

- This printer's paper is sensitive to external temperature or water.
- ① Be careful not to send data to the printer when changing paper.
 - ② Please put your index finger on the front panel ring part of the printer and raise it.

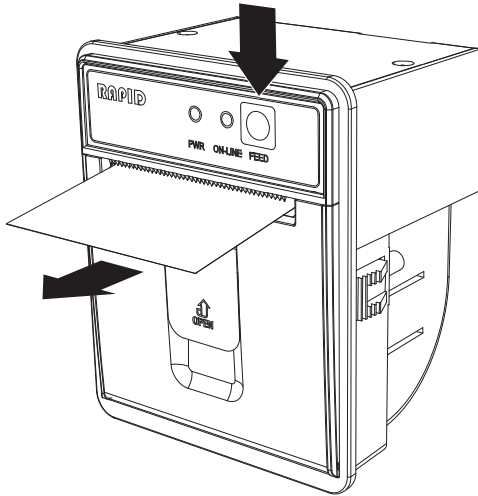


-
- ③ When inserting the paper, insert it in the same direction as shown.



- ④ Make sure that the green LED is ON after loading the paper properly.

-
- ⑤ Press the FEED button to confirm that the paper is correctly fed.



2-4. SELF TEST

The self -test mode checks the printers control circuit function, setting parameter, software version, and printer quality.

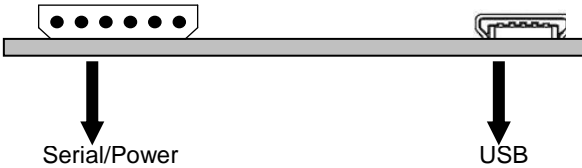
- ① Before running the self -test, make sure there is sufficient paper.
- ② On pressing FEED S/W(YJ-350T/YJ-320T) or ONLINE S/W(YJ-360T), and power ON, starting the self-test.
- ③ Printer becomes ready to receive data from the host.

2-5. DUMP MODE

Dump mode checks whether printer receives data correctly from the host or not.

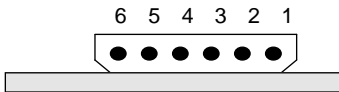
- ① Before running the self -test, make sure there is sufficient paper.
- ② On pressing FEED S/W, and power ON, starting the self-test.
- ③ After ending the self-test, continually press FEED S/W, Then print
“**[HEX DUMP PRINT START]**”
after 2 seconds.
- ④ Thought you don't touch any s/w, the printer take out HEXA mode
changed data from host
- ⑤ If power off, printer “s recovered to normal mode

3. CONNECTIONS

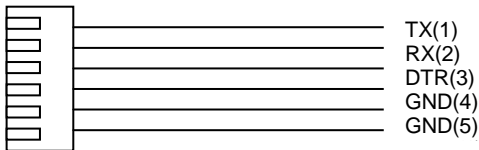


3-1. SERIAL/POWER INTERFACE

1) Serial/Power cable number



Connector Spec : Molex 5268-06

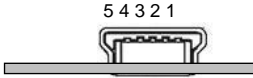


2) Serial(RS-232C) signal function

Pin	SIG.	DIRCTION	FUNCTION
2	TXD	OUT	Transmitter data
3	RXD	IN	Receive data
6	DSR	IN	<ul style="list-style-type: none"> ● Indicate Whether host could receive data or not . ● Can do it on SPACE , not do it on MARK ● Can operating on DSR/DTR Handshaking, printer transmitter data after checking the signal. ● Use it on Hardware Handshaking.
7	GND	-	Signal Ground
20	DTR	OUT	<ul style="list-style-type: none"> ● Indicate Whether printer could receive data or not. ● Can do it on SPACE , not do it on MARK, when setting DTR/DSR control ● It's on MARK as bellows; <ul style="list-style-type: none"> - Full buffer in printer - Operating on error

3-2.USB INTERFACE(Option)

1) USB Connector number



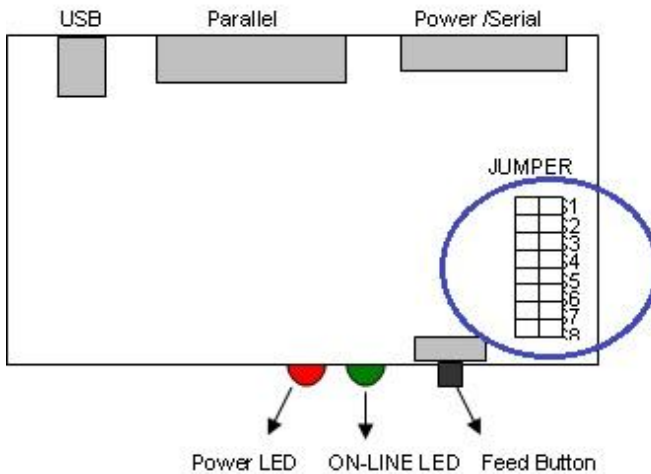
Connector Spec : Mini B

2) USB signal function

Pin No	SIG	DIRCTION	FUNCTION
1	Vcc	IN	USB HOST form 5V input
2	D -	IN/OUT	Data send -
3	D +	IN/OUT	Data send +
4	-	-	N.U.
5	GND	-	Signal Ground

3-3.THE OTHERS

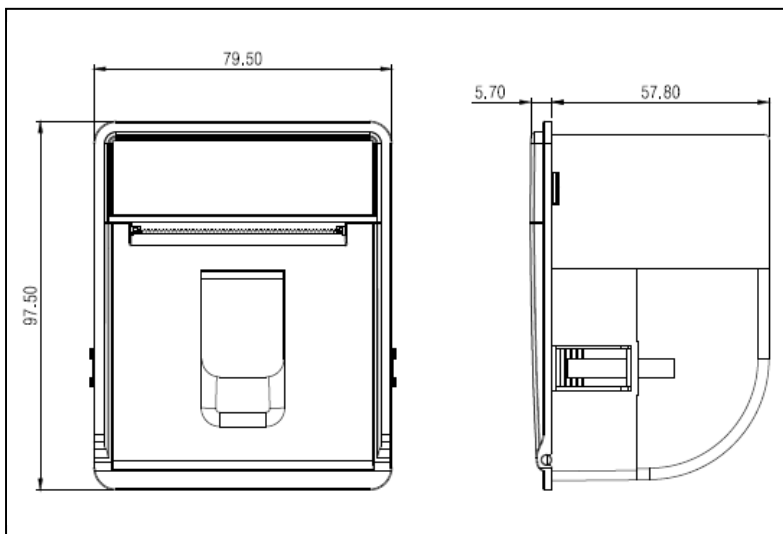
- Jumper Spec



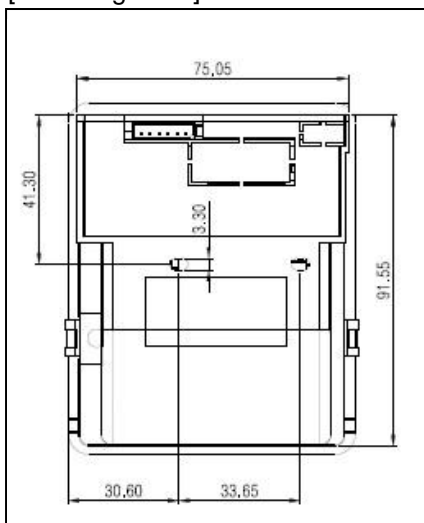
Jumper No.		Define	Jumper No.		Define
S1	S2	Serial Baud rate	S5	S6	Columns
Open	Open	9600bps *	Open	Open	32Columns *
Short	Open	19200bps	Short	Open	42Columns
Open	Short	115200bps	Open	Short	24Columns
Short	Short	2400bps	Short	Short	36Columns
S3		Korean Type	S7	S8	Serial Parity
Open		WANSUNG*	Open	Open	None Parity *
Short		JOHAP	Short	Open	Odd Parity
S4		Emulation	Short	Short	Even Parity
Open		EPSON *			
Short		CITIZEN			

* Default mode on factory - out

4. OUTER APPARANCE



[Cutting Size]



5. COMMAND

5-1 CODE TABLE

	2	3	4	5	6	7	8	9	A	B	C	D	E	F
0	SP	0	@	P	`	p	Ç	É	á	⌘	⌘	⌘	α	≡
1	!	1	A	Q	a	q	ü	æ	í	⌘	⌘	⌘	β	±
2	"	2	B	R	b	r	é	Æ	ó	⌘	⌘	⌘	Γ	≥
3	£	3	C	S	c	s	â	ô	ú		⌘	⌘	π	≤
4	\$	4	D	T	d	t	ä	ö	ñ	†	-	⌘	Σ	∫
5	%	5	E	U	e	u	à	ò	Ñ	‡	+	⌘	σ	J
6	&	6	F	V	f	v	å	û	ª	‡	‡	⌘	μ	÷
7	'	7	G	W	g	w	ç	ù	º	⌘	⌘	⌘	τ	≈
8	(8	H	X	h	x	ê	ÿ	¿	‡	⌘	⌘	Φ	°
9)	9	I	Y	i	y	ë	Ö	Γ	‡	⌘	⌘	θ	·
A	*	:	J	Z	j	z	è	Ü	¬	⌘	⌘	⌘	Ω	·
B	+	;	K	[k	{	ï	φ	½	⌘	⌘	■	δ	√
C	,	<	L	\	l		î	£	¼	⌘	⌘	■	∞	ⁿ
D	-	=	M]	m	}	ï	¥	ì	⌘	=	■	∅	²
E	.	>	N	^	n	~	Ä	Pt	«	‡	‡	■	ε	■
F	/	?	O	_	o	SP	Å	f	»	‡	±	■	n	

5- 2 EPSON COMMAND

Name	Command	HEX
Horizontal tab	HT	0x09
Print and line feed	LF	0x0A
Print and carriage return	CR	0x0D
Printer Status	ESC BEL	0x1B 0x07
Set right-side character spacing	ESC SP n	0x1B 0x20 n
Select print mode	ESC ! n	0x1B 0x21 n
Set absolute print position	ESC \$ nl nh	0x1B 0x24 nl nh
Select/cancel user-defined character set	ESC % n	0x1B 0x25 n
Define user-defined characters	ESC & y c1 cw [...]	0x1B 0x26 y c1 cw [...]
Select bit-image mode	ESC * m nl nh d1...dk	0x1B 0x2A m nl nh d1..
Turn underline mode on/off	ESC - n	0x1B 0x2D n
Select default line spacing	ESC 2	0x1B 0x32
Set line spacing	ESC 3 n	0x1B 0x33 n
Cancel user-defined characters	ESC ? n	0x1B 0x3F n
Initialize printer	ESC @	0x1B 0x40
Set horizontal tab positions	ESC D n1...nk NUL	0x1B 0x44 n1...nk NUL
Turn emphasized mode on/off	ESC E n	0x1B 0x45 n
Turn double-strike mode on/off	ESC G n	0x1B 0x47 n
Select character font	ESC M n	0x1B 0x4D n
Select an international character set	ESC R n	0x1B 0x52 n
Turn 90° clockwise rotation mode on/off	ESC V n	0x1B 0x56 n
Set relative print position	ESC \ nl nh	0x1B 0x5C nl nh
Print and feed <i>n</i> lines	ESC d n	0x1B 0x64 n
Korean Code on/off	ESC h n	0x1B 0x68 n
Select character code table	ESC t n	0x1B 0x74 n
Turn upside-down print mode on/off	ESC { n	0x1B 0x7B n
Select character size	GS ! n	0x1D 0x21 n
Define downloaded bit image	GS * x y d1...d(x*y*8)	0x1D 0x2A x y d1...d(x*y*8)
Print downloaded bit image	GS / m	0x1D 0x2F m
Transmit printer ID	GS l n	0x1D 0x49 n
Set left margin	GS L nl nh	0x1D 0x4C nl nh
Set print area width	GS W nl nh	0x1D 0x57 nl nh
Set print density	GS g n	0x1D 0x67 n

Name	Command	HEX
Set bar code height	GS h n	0x1D 0x68 n
Print bar code	① GS k m d1...dk NUL	0x1D 0x6B m d1...dk NUL
	② GS k m n d1...dn	0x1D 0x6B m n d1...dn
Print raster bit image	GS v 0 m xl xh yl yh d1...dk	0x1D 0x76 0x30 m xl xh yl yh d1...dk
Set bar code width	GS w n	0x1D 0x77 n